

PD51 - CONVERTER OF RS-232/RS-485 INTERFACES

FEATURES:

2 x
1200m



CE

- Exchange of the RS-232 interface into industrial RS-485 interface
- Enables the bus range and the number of devices increase in the RS-485 network
- Ensures the automatic control of the data flow direction
- In order to protect devices at both sides of interfaces, a galvanic separation is applied in the converter.

INPUTS:

RS
232

OUTPUTS:

RS
485

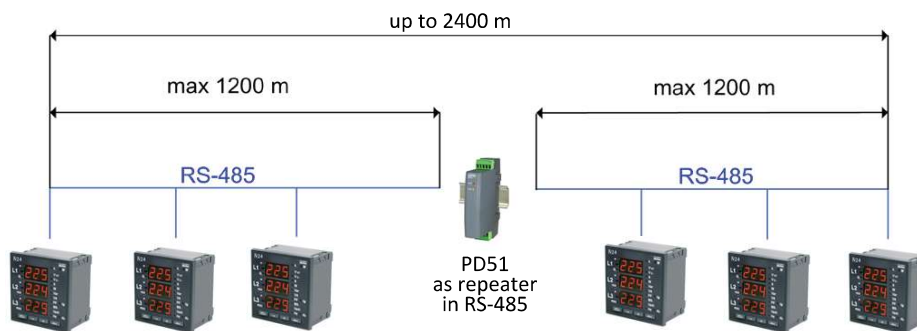
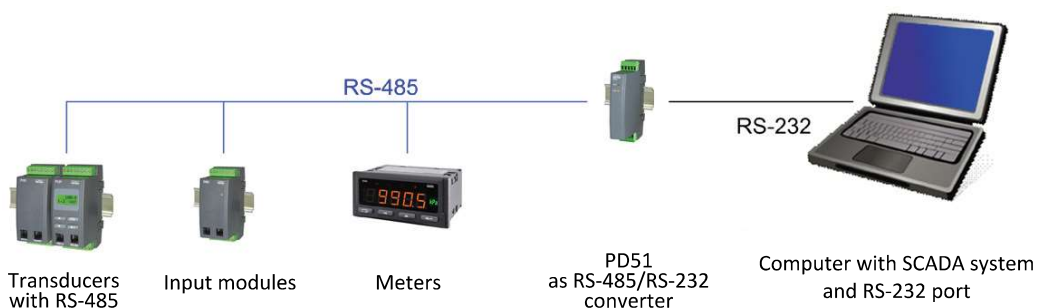
GALVANIC ISOLATION:

RS
485

RS
232



EXAMPLE OF APPLICATION



DIGITAL INTERFACE

| Interface type | Properties | |
|----------------|--------------------------------------|--|
| RS-485/RS-232 | Transmission rate: | 1200, 2400, 4800, 9600, 19200, 38400, 57600, 115200 Mb/s |
| | Steering of the data flow direction: | automatic |
| | Working mode: | converter or repeater |

EXTERNAL FEATURES

| | | |
|--------------------|-----------------|--------------------------|
| Overall dimensions | 52 x 44 x 24 mm | |
| Weight | 0.1 kg | with packing |
| Protection grade | Housing: IP40 | from terminal side: IP20 |
| Fixing | On a rail | |

Export department:
English: +48 68 45 75 139/
233/321/386
e-mail: export@lumel.com.pl

LUMEL S.A.
ul. Sulechowska 1
65-022 Zielona Góra
POLAND
WWW.LUMEL.COM.PL

PD51-CONVERTER OF RS-232/RS-485 INTERFACES

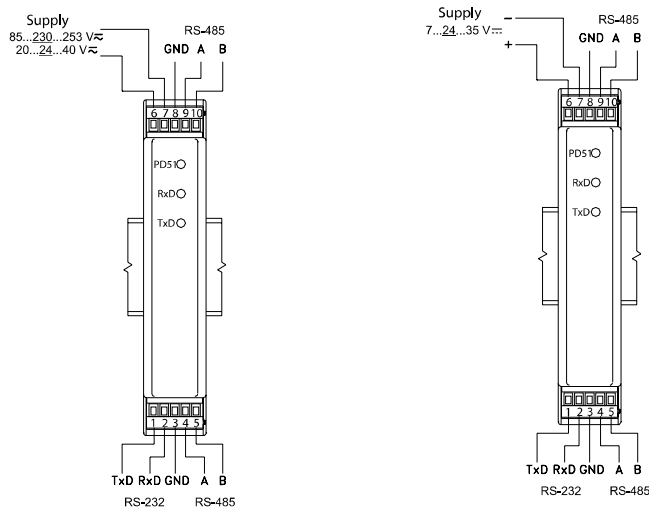
RATED OPERATING CONDITIONS

| | | |
|----------------------------------|---|--|
| Supply voltage | 7...35 V d.c. or 20...24...40 V a.c./d.c. or 85...230...253 V a.c./d.c. | Input power: ≤ 1.5 Va Supply frequency: 40...50...440 Hz |
| Temperature | Ambient: 0...23...55°C | Storage: 0...70 °C |
| Relative humidity | < 85% | |
| Operating position | any | |
| External magnetic field | 400 A/m | |
| Admissible sinusoidal vibrations | Frequency: 10..150 Hz | Shift amplitude: ≤ 0.35 mm |

SAFETY AND COMPATIBILITY REQUIREMENTS

| | | |
|--|---|----------------------|
| Electromagnetic compatibility | Noise immunity | acc. to EN 61000-6-2 |
| | Fastness against supply decays | acc. to EN 61000-6-2 |
| | Emission of radio electric perturbations | acc. to EN 61000-6-4 |
| Pollution level | 2 | acc. to EN 61010-6-1 |
| Installation category | III | |
| Maximum phase-to-earth operating voltage | For supply circuits: 300 V, For other circuits: 50 V | |

CONNECTION DIAGRAMS



Version A1 and A2

Version A3

ORDERING

| | | | |
|--|----|----|---|
| Converter of RS-232/RS-485 interfaces | XX | XX | X |
| Supply voltage: | | | |
| on-rail version: 85..230..253 V a.c./d.c. | A1 | | |
| 20..24..40 V a.c./d.c. | A2 | | |
| 7..24..35 V d.c. | A3 | | |
| Version: | | | |
| standard | | 00 | |
| custome - made * | | XX | |
| Acceptance tests: | | | |
| without additional requirements | | | 8 |
| with an extra quality inspection certificate | | | 7 |
| acc.to customer's request * | | | X |

* after agreeing with the manufacturer

Ordering example:

The code: **PD51 - A1 00 7** means:

PD51 - Converter of PD51 type

A1 - supply voltage: 85...230...253 V a.c./d.c.

00 - standard version

7 - with an extra quality inspection certificate

For more information
about LUMEL's
products please visit
our website:
www.lumel.com.pl

Export department:
English: +48 68 45 75 139/
233/321/386
e-mail: export@lumel.com.pl

LUMEL S.A.
ul. Sulechowska 1
65-022 Zielona Góra
POLAND
WWW.LUMEL.COM.PL