



Manufactured according to OIML R60 standards

Capacity from 1000 kg to 5000 kg



- AISI 420 STAINLESS STEEL
- COMBINED ERROR $\leq \pm 0.03\%$
- PROTECTION CLASS IP68
- INTEGRATED STAINLESS STEEL LOWER PLATE

MOUNTING KITS



CAPACITY	kg			EAC	NET WEIGHT OF LOAD CELL (kg)	CODE
1000		•	•	•	4.1	CLS1000
2000		•	•	•	4.1	CLS2000
5000		•	•	•	4.1	CLS5000

ON REQUEST

CERTIFICATIONS

CERTIFICATIONS ON REQUEST



ATEX II 1GD (zone 0-1-2-20-21-22)

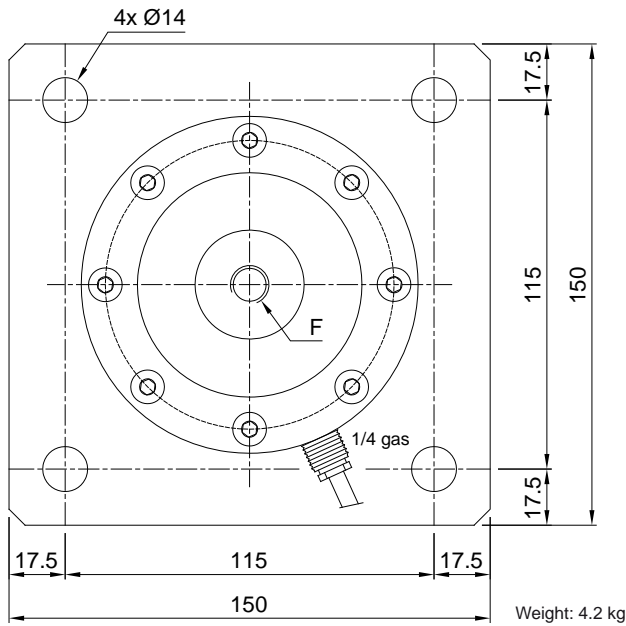


IECEx (zone 0-1-2-20-21-22)

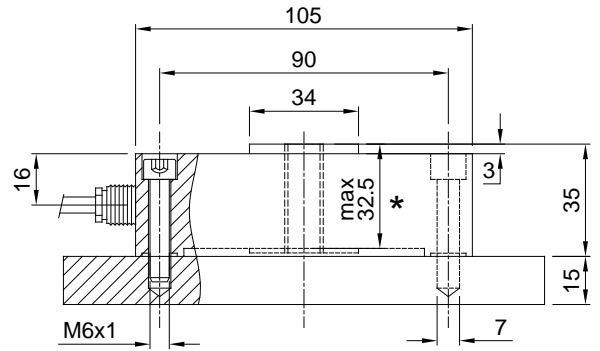


Complies with the Eurasian Custom Union regulations (Russia, Belarus, Kazakhstan)

DIMENSIONS (mm)



	F
kg 1000	M12 x 1.75
kg 2000	M12 x 1.75
kg 5000	M20 x 2.5



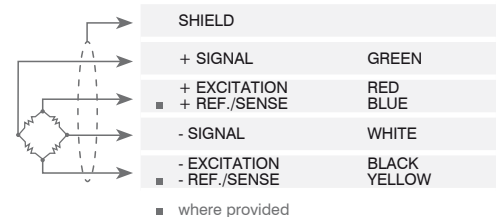
* WARNING! Max dimension to insert the bolt to allow the cell to perform properly

TECHNICAL FEATURES

Material	AISI 420 stainless steel		
Nominal load (E max)	1000 - 2000 - 5000 kg		
Combined error	≤ ±0.03%		
Protection class	IP68		
Rated output	2 mV/V ±0.4%	Input resistance	385 Ω ±10
Temperature effect on zero	0.002% °C	Output resistance	350 Ω ±3
Temperature effect on span	0.012% °C	Zero balance	±1%
Compensated temperature range	-10 °C / +50 °C	Insulation resistance	>5000 MΩ
Operating temperature range	-20 °C / +70 °C	Safe overload (% of full scale)	150%
Creep at nominal load in 30 minutes	0.02%	Ultimate overload (% of full scale)	250%
Max supply voltage without damage	15 V	Deflection at nominal load	0.3 mm

ELECTRICAL CONNECTIONS

Cable length	5 m
Cable diameter	6 mm
Cores	4/6 x 0.25 mm ²



The Company reserves the right to make changes to the technical data, drawings and images without notice.