



Manufactured according to OIML R60 standards

Capacity from 500 kg to 200000 kg



- 17-4 PH STAINLESS STEEL
- BIDIRECTIONAL TENSION AND COMPRESSION
- COMBINED ERROR $\leq \pm 0.05\%$
- PROTECTION CLASS: IP68 (500 - 60000 kg), IP67 (100000 - 200000 kg)

CAPACITY	kg	IECEx	Ex	EAC	NET WEIGHT OF LOAD CELL (kg)	CODE
500		•	•	•	1.2	CL500
1000		•	•	•	1.2	CL1000
2000		•	•	•	1.2	CL2000
5000		•	•	•	1.7	CL5000
10000		•	•	•	1.8	CL10000
20000		•	•	•	-	CL20000
30000		•	•	•	5.3	CL30000
60000		•	•	•	5.4	CL60000
100000		•	•	•	12	CL100000
150000		•	•	•	-	CL150000
200000		•	•	•	-	CL200000


ON REQUEST

CERTIFICATIONS

CERTIFICATIONS ON REQUEST

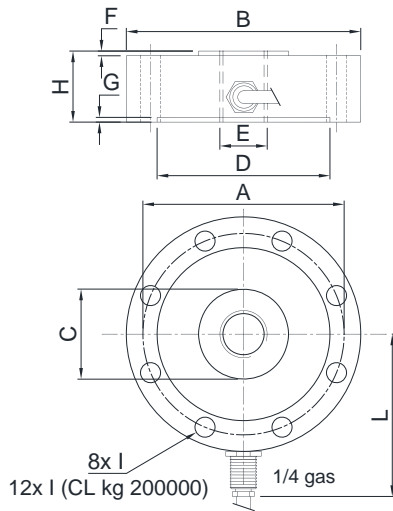
✓	Calibration report (ACCREDIA LAT traceability)
Ex	ATEX II 1GD (zone 0-1-2-20-21-22)
IECEx	IECEx (zone 0-1-2-20-21-22)
EAC	Complies with the Eurasian Custom Union regulations (Russia, Belarus, Kazakhstan)

OPTIONS ON REQUEST

DESCRIPTION
 <p>Two redundant strain gauges Wheatstone bridges (350 Ω) with two output cables; for dual safety systems</p>

Rev. 00 del 12/03/2015

DIMENSIONS (mm)



	kg 500 kg 1000 kg 2000	kg 5000 kg 10000	kg 20000 kg 30000 kg 60000	kg 100000	kg 150000	kg 200000
A	Ø 85	Ø 94	Ø 136	Ø 175	Ø 213	Ø 254
B	Ø 99	Ø 109	Ø 164	Ø 219	Ø 249	Ø 299
C	Ø 31	Ø 38	Ø 70	Ø 88	Ø 140	Ø 170
D	Ø 72	Ø 78	Ø 113	Ø 135	Ø 176	Ø 210
E	M20 x 1.5	M24 x 2	M48 x 3	M64 x 4	M72 x 4	M90 x 6
F	2	2	5	5	5	5
G	1.5	1.5	2	3	3	3
H	30	35	50	70	70	80
I	Ø 8.5	Ø 8.5	Ø 16.5	Ø 26	Ø 26	Ø 26
L	68.5	73.5	101	128.5	143.5	168.5
Weight	1.1	1.4	5	11	16	26

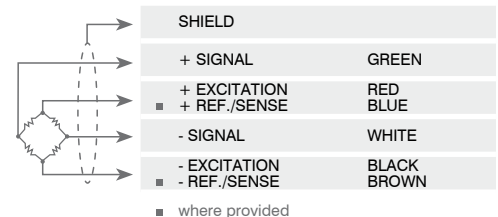


TECHNICAL FEATURES

Material	17-4 PH stainless steel		
Nominal load (E max)	500 - 1000 - 2000 - 5000 - 10000 - 20000 - 30000 - 60000 - 100000 - 150000 - 200000 kg		
Combined error	≤ ±0.05%		
Protection class	IP68 (500 - 60000 kg), IP67 (100000 - 200000 kg)		
Rated output	2 mV/V ±0.3%	Input resistance	700 Ω ±20
Temperature effect on zero	0.005% °C	Output resistance	700 Ω ±5
Temperature effect on span	0.005% °C	Zero balance	±1%
Compensated temperature range	-10 °C / +50 °C	Insulation resistance	>5000 MΩ
Operating temperature range	-20 °C / +70 °C	Safe overload (% of full scale)	150%
Creep at nominal load in 30 minutes	0.3%	Ultimate overload (% of full scale)	300%
Max supply voltage without damage	15 V	Deflection at nominal load	0.3 mm

ELECTRICAL CONNECTIONS

Cable length	5 m
Cable diameter	5 mm
Cores	4 x 0.25 mm ² /6 x 0.14 mm ²



The Company reserves the right to make changes to the technical data, drawings and images without notice.