

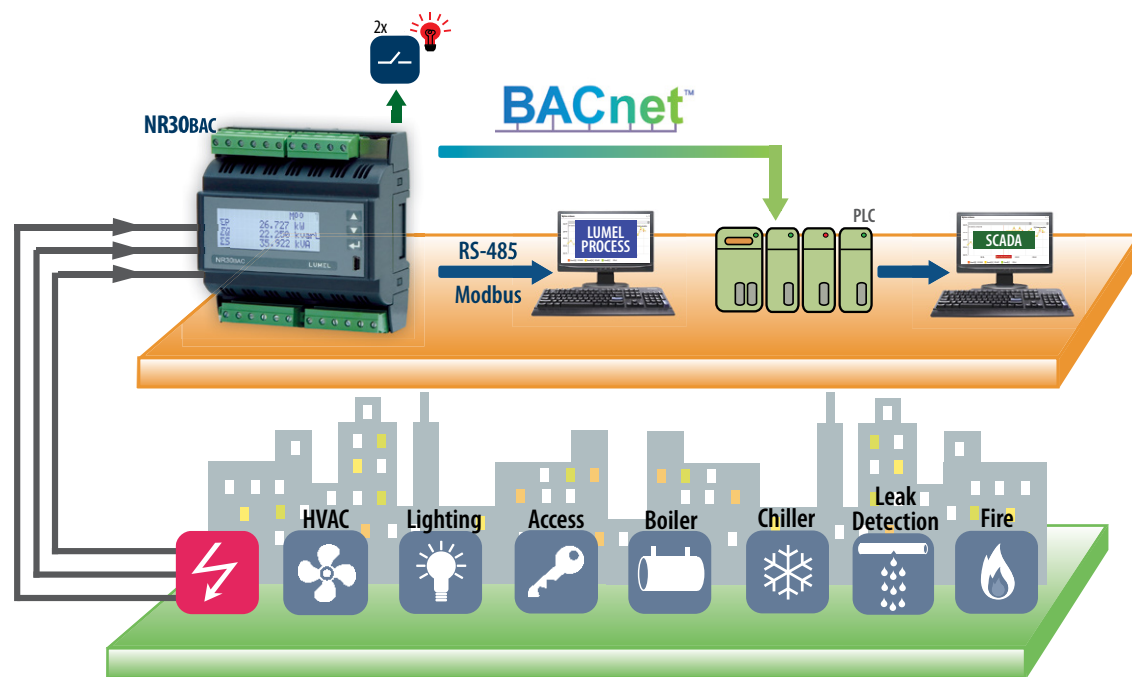


## NR30BAC – RAIL MOUNTED POWER NETWORK METER with BACnet

- Measurement of 54 power network parameters and current and voltage harmonics up to 51st, in 1-phase 2-wire or 3-phase 3 or 4-wire balanced and unbalanced systems.
- Backlit LCD screen **fully configurable by a user** (22 views, 3 parameters in each).
- For direct (up to 63A) and indirect measurement (x/1A or x/5A).
- Indications considering values of programmed ratios.
- Memory of minimum and maximum values.
- 2 configurable alarm outputs.
- Optional: with an additional module of analog outputs S4A0 (max. 4 current or voltage outputs).
- Digital output RS-485 - MODBUS protocol.
- **Modern and user-friendly BACnet/IP interface.**
- Programming of parameters **through USB** using **free eCon software**.
- Battery backup RTC.
- Modular housing for S-rail according to EN 62208 (the meter has a width of 6 modules).



### EXAMPLE OF APPLICATION



### MEASUREMENT AND VISUALIZATION OF POWER NETWORK PARAMETERS

- phase voltages:  $U_1, U_2, U_3$
- phase-to-phase voltages:  $U_{12}, U_{23}, U_{31}$
- phase currents  $I_1, I_2, I_3$
- active phase powers:  $P_1, P_2, P_3$
- reactive phase powers:  $Q_1, Q_2, Q_3$
- apparent phase powers:  $S_1, S_2, S_3$
- active power factors:  $PF_1, PF_2, PF_3$
- reactive/active power factors:  $tg\varphi_1, tg\varphi_2, tg\varphi_3$
- active, reactive and apparent 3-phase power:  $P, Q, S$
- mean 3-phase power factors:  $PF, tg\varphi$
- frequency  $f$
- mean 3-phase voltage:  $U_s$
- mean phase-to-phase voltage:  $U_{mf}$
- mean 3-phase current:  $I_s$
- 15, 30, 60 minutes' mean active power:  $P_{demand}$
- mean apparent power  $S_{demand}$
- average current  $I_{demand}$
- active, reactive and apparent 3-phase energy:  $EnP, EnQ, EnS$
- active, reactive and apparent energy from external counter:  $EnPE$
- total harmonic content coefficients for phase voltages and currents  $THD_{U1}, THD_{U2}, THD_{U3}, THD_{I1}, THD_{I2}, THD_{I3}$  and for 3-phase voltages and currents  $THD_U, THD_I$
- harmonics for current and phase voltage up to 51 st!

FEATURES	INPUTS	OUTPUTS	GALVANIC ISOLATION
		<p><small>* -available only with an additional S4A0 module</small></p>	

## TECHNICAL DATA

### MEASURING RANGES

Measured value	Measuring range	L1	L2	L3	Σ	Class (*) / Basic error (*) class relative to the measured value acc. to EN61557-12
Current I/5 A 1 A~ 5 A~	0.010 ..0.100..1.200 A (tr_I=1) 0.050 ..0.500.. 6.000 A (tr_I=1) ...20.00 kA (tr_I≠1)	•	•	•		Class 0.2
Voltage L-N 57.7 V~ 230 V~ 400 V~	5.7..11.5 ..70.0 V (tr_U=1) 23.0..46 .. 276.0 V (tr_U=1) 40.0..80 .. 480.0 V (tr_U=1) ...480.0 kV (tr_U≠1)	•	•	•		Class 0.2
Voltage L-L 100 V~ 400 V~ 690 V~	10.0 ..20..120.0 V (tr_U=1) 40.0..80 .. 480.0 V (tr_U=1) 69.0..138 .. 830.0 V (tr_U=1) ...830.0 kV (tr_U≠1)	•	•	•		Class 0.5
Active power P <sub>i</sub> , average active power P <sub>dt</sub>	.. (-)1999.9 W ..(-)1999.9 MW (tr_U≠1.tr_I≠1)	•	•	•	•	Class 0.5
Reactive power Q <sub>i</sub>	.. (-)1999.9 Var ..(-)1999.9 MVar (tr_U≠1.tr_I≠1)	•	•	•	•	Class 1
Apparent power S <sub>p</sub> , average apparent power S <sub>dt</sub>	..1999.9 VA ..1999.9 MVA (tr_U≠1.tr_I≠1)	•	•	•	•	Class 0.5
Active energy EnP (imported or exported)	.. (-)1999.9 Wh ..(-)1999.9 MWh (tr_U≠1.tr_I≠1)				•	Class 0.5 <sup>1)</sup>
Reactive energy EnQ (inductive or capacitive)	.. (-)1999.9 Varh ..(-)1999.9 MVarh (tr_U≠1.tr_I≠1)				•	Class 1
Apparent energy EnS	.. 1999.9 VAh ..1999.9 MVAh (tr_U≠1.tr_I≠1)				•	Class 0.5
Active power factor PF <sub>i</sub>	-1.00 ..0 ..1.00	•	•	•	•	± 0.01 basic error
Coefficient tg	-999.99 .. 0 .. 999.99	•	•	•	•	± 0.01 basic error
Frequency f	45.00..65.00 Hz				•	Class 0.1
Total harmonic distortion of voltage THDU and current THDI	0.0 ..100.0 %	•	•	•	•	Class 5 50 / 60 Hz
Amplitudes of the voltage U <sub>h1</sub> ...U <sub>h50</sub> and current I <sub>h1</sub> ... I <sub>h50</sub>	0.0 ..100.0 %	•	•	•		Class 5 50 / 60 Hz

tr\_I, tr\_U – ratio of current and voltage transformer

<sup>1)</sup> Class 0.5 S acc. to EN 62053-22

## OUTPUTS

Output type	Properties
Relay output	2 x programmable relays, non-voltage contacts, load capacity 0.5 A / 250 V a.c. or 5 A / 30 V d.c.

## DIGITAL INTERFACE

Interface type	Transmission protocol	Remarks
USB 1.1/2.0	Modbus RTU 8N2	baud rate 115.2 kbit/s; firmware update
RS-485	Modbus RTU 8N2, 8E1, 8O1, 8N1	Address 1..247 baud rate: 4.8, 9.6, 19.2 38.4, 57.6, 115.2 kbit/s
BACnet	BACnet/IP	BACnet Standardized Device Profile (Annex L): BACnet Application Specific Controller (B-ASC);  BACnet Interoperability Building Blocks (BIBB) Support (Annex K in BACnet Addendum 135d): DS-RP-B, DS-WP-B, DS-RPM-B, DM-DDB-B, DM-DOB-B, DM-DCC-B, DM-RD-B;  Binding methods support: Recive Who-Is, send I-Am (BIBB, DM-DDB-B); Recive Who-Has, send I-Have (BIBB DM-DOB-B)

## EXTERNAL FEATURES

Readout field	20 x 4 lines LCD character display; white background, black characters	
Overall dimensions	105 x 110 x 60 mm	
Weight	0.3 kg	
Protection grade	from frontal side: IP50	from terminal side: IP00

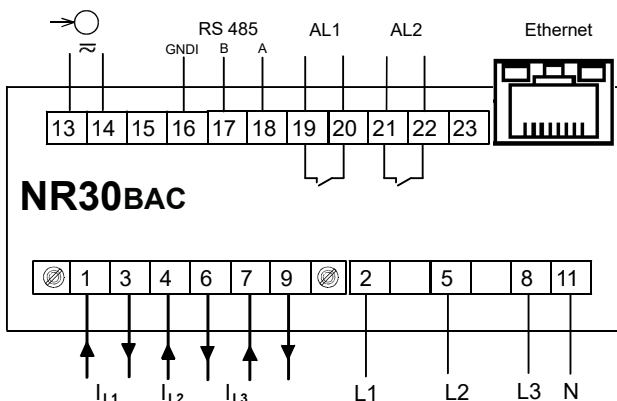
## RATED OPERATING CONDITIONS

Supply voltage	→ 85...253 V a.c. (40...50...400 Hz), 90...300 V d.c. or 20...40 V a.c., 20...60 V d.c.	power consumption ≤ 6 VA
Power consumption	in voltage circuit ≤ 0.5 VA	in current circuit ≤ 0.1 VA (In = 1/5 A); ≤ 2.0 VA (In = 63 A)
Input signal	0...0.1...1.2 In; 0.1...0.2...1.2 Un for current, voltage, PF, tgφ	frequency 45...50...60...65 Hz, sinusoidal (THD ≤ 8%)
Power factor	-1...0...1	
Preheating time	5 min.	
Ambient temperature	-10...23...55°C, class K55 acc. to EN61557-12	
Humidity	0...40...65...95%	inadmissible condensation
Operating position	any	
External magnetic field	≤ 40...400 A/m d.c.	≤ 3 A/m a.c. 50/60 Hz
Short-term overload	voltage input: 2 Un (5 sec.)	current input: 50 A for In = 1A/5A (1 sec.) 630 A for In = 63A (1 sec.)
Admissible crest factor	current: 2	voltage: 2
Additional error (in % of the intrinsic error)		from ambient temperature change: < 50% / 10°C

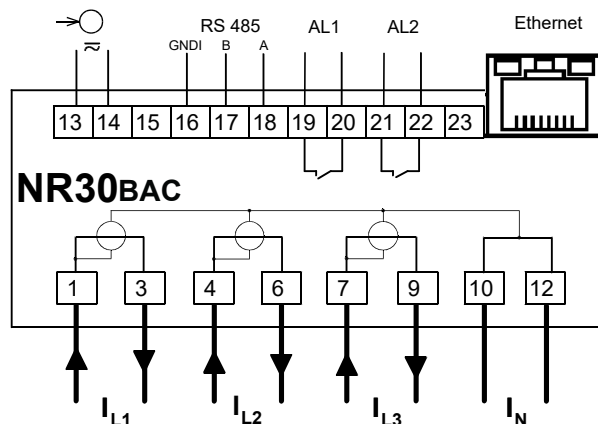
## SAFETY AND COMPABILITY REQUIREMENTS

Electromagnetic compatibility	noise immunity	acc. to EN 61000-6-2
	noise emissions	acc. to EN 61000-6-4
Isolation insured by the casing	double	acc. to EN 61010-1
Isolation between circuits	basic	acc. to EN 61010-1
Polution level	2	acc. to EN 61010-1
Installation category	III	acc. to EN 61010-1
Maximal phase-to-earth voltage	<ul style="list-style-type: none"> <li>for supply circuit and relay outputs 300 V</li> <li>for measuring input 500 V</li> <li>for circuits of RS-485, analog outputs: 50 V</li> </ul>	acc. to EN 61010-1
Altitude a.s.l.	< 2000 m	

## CONNECTION DIAGRAMS



Description of connection strips in the execution of the meter for indirect connections



Description of connection strips in the execution of the meter for direct connections 63A

## DISPLAYING OF MEASUREMENT PARAMETERS

	A1	1	2	3	A2	1	2	3	E	T
U1									103.75	V
U2									99.234	V
U3									101.86	V

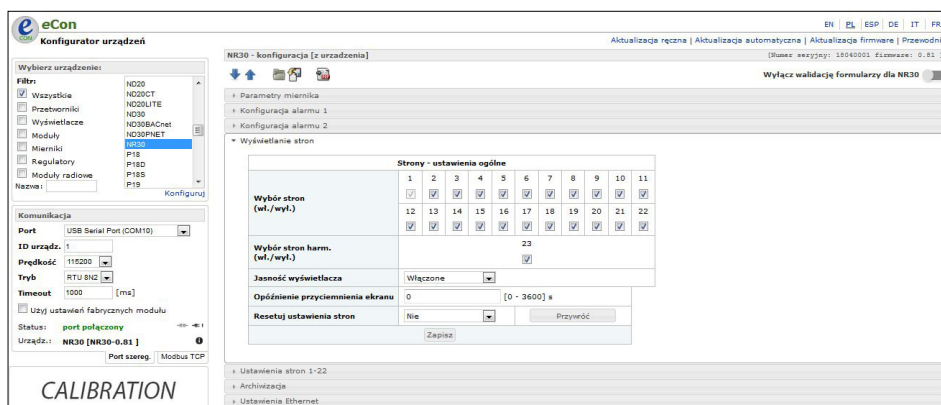
up to 22 programmable screens  
(3 parameters per page)

easy to use and intuitive menu;  
information bar with status of:  
min.max values, phase sequence,  
interfaces.

H05					M00E
U1	3.28%	I1	4.17%		
U2	1.42%	I2	2.38%		
U3	2.35%	I3	3.42%		

one screen dedicated to harmonics;  
indication of individual harmonic  
for voltages and currents (up to 51st)

## METER CONFIGURATION WITH FREE eCON SOFTWARE



ability to configure and update\* NR30BAC  
with free eCon software  
(via RS-485, USB)

\*- update only via USB port

## ORDERING CODE

Meter NR30BAC -	X	X	X	X	XX	X	X
<b>Input current In:</b>							
1/5 A (X/1 ; X/5)	1						
63 A	2						
<b>Input voltage (phase/phase-to-phase) Un:</b>							
3 x 57.7/ 100 V up to 3 x 100/ 170 V	1						
3 x 230/ 400 V up to 3 x 400/ 690 V	2						
<b>Interface:</b>							
RS-485 and BACnet/IP	2						
<b>Supply:</b>							
85...253 V a.c., 90...300 V d.c.	1						
20...40 V a.c., 20...60 V d.c.	2						
<b>Version:</b>							
standard					00		
with S4AO*: 4 current outputs 0/4 .. 20 mA					01		
with S4AO*: 4 voltage outputs 0 .. 10 V					02		
with S4AO*: 4 outputs (2 groups 1 x 0..10 V + 1 x 0/4 .. 20 mA)					03		
custom-made**					XX		
<b>Language:</b>							
Polish						P	
English						E	
other*						X	
<b>Acceptance tests:</b>							
without additional quality requirements							0
with an extra quality inspection certificate							1
with calibration certificate							2
acc.to customer's request							X

### Order example:

The code: **NR30BAC-1.1.2.1.00.E.0** means:

**NR30BAC** - NR30BAC meter

**1** – input current 1/5 A (X/1; X/5)

**1** – input voltage 3x57.7/100 V up to 3x100/170 V,

**2** – RS485 and BACnet/IP

**1** – supply 85..253 V a.c., 90..300 V d.c.

**00** – standard version,

**E** – user's manual in English

**0** – without additional quality requirements.

\* 4-channel S4AO analog output module will be made with the same power supply as the ordered NR30BAC meter, unless the customer specifies otherwise. The S4AO module communicates with the NR30BAC meter via the RS485 Modbus Master interface, therefore cooperation with S4AO excludes the use of the NR30BAC meter RS485 interface for communication with another Master.

\*\*after agreement with the manufacturer

